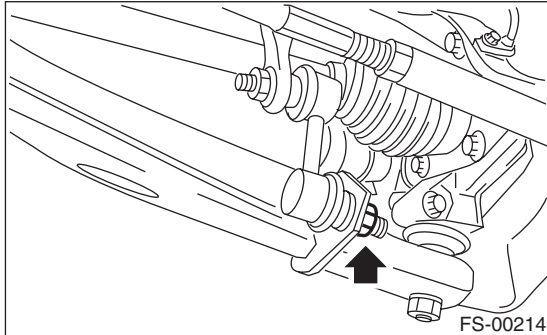


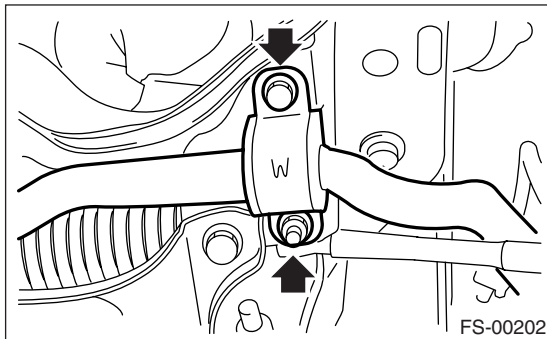
### 4. Front Stabilizer

#### A: REMOVAL

- 1) Lift-up the vehicle, and then remove the front wheels.
- 2) Remove the front under cover. <Ref. to EI-17, REMOVAL, Front Under Cover.>
- 3) Remove the front crossmember support plate. <Ref. to FS-13, REMOVAL, Front Crossmember Support Plate.>
- 4) Remove the stabilizer link.



- 5) Remove the stabilizer link.



#### B: INSTALLATION

Install in the reverse order of removal.

##### NOTE:

- Use a new flange nut (with WAX).
- Install so that the paint mark on the stabilizer is on the left side of the vehicle.
- Install the stabilizer bushing (front crossmember side) while aligning it with the paint mark on stabilizer.

##### **Tightening torque:**

###### **Stabilizer link:**

**60 N·m (6.1 kgf-m, 44.3 ft-lb)**

###### **Stabilizer clamp**

**25 N·m (2.5 kgf-m, 18.1 ft-lb)**

#### C: INSPECTION

- 1) Check the bushing for cracks, fatigue or damage.
- 2) Check the stabilizer link for damage.